

What's New What's Best — Shop Marketplace!



Kinter will exhibit a Bunker Case Cross Merchandiser, a new metal display based on its supermarket customer needs to emphasize cross-promotional sales around horizontal freezer and cooler areas. The Bunker Case Cross Merchandiser fits fixtures 36" to 62" in depth and is a must for supermarkets wishing to get a lift in sales on products that further complement promotions in the meat and dairy departments, such as sauces, rubs, and toppings. For more information, contact Kinter, 3333 Oak Grove Ave., Waukegan IL 60087; www.kinter.com.



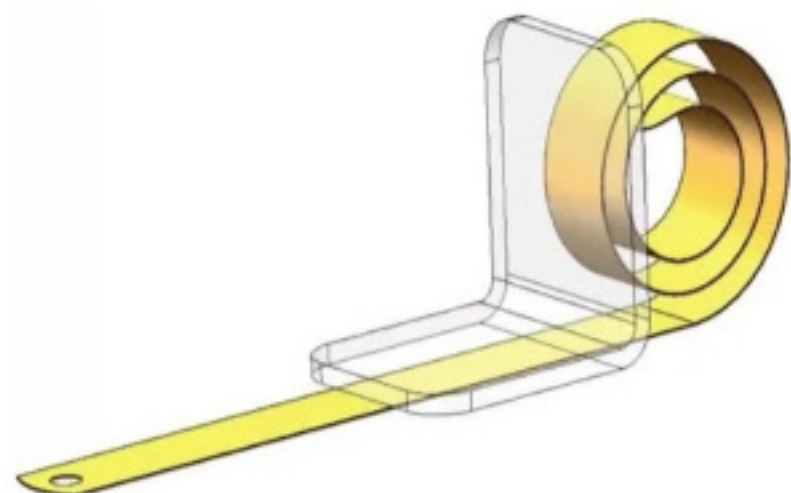
siffron will exhibit ModoS Shelf.™ siffron has partnered with Microban to integrate antimicrobial technology into ModoS Shelf™, a modular shelving system designed for easy cleaning, long-term durability, and cost efficiency. ModoS Shelf is designed to meet the unique challenges of modern retail environments. Its lightweight, customizable design enhances product displays while maximizing merchandising space. Built with convenience in mind, ModoS Shelf can be quickly assembled by a single person, and its tile-based construction allows for fast disassembly and effortless cleaning, making it an ideal solution for fresh areas, commercial kitchens, and grocery store coolers. For more information, contact siffron, 8181 Darrow Road, Twinsburg, OH 44087; www.siffron.com.



Universal Custom Display will exhibit a lineup of supermarket displays, which seamlessly blends blending functionality and elegance. This Sweet Goods Case features four adjustable shelves, 28 plastic trays, and clear tempered glass doors. Exhaust fans, LED lighting, and bag cubbies ensure optimal display. The Bagel/Roll Case offers four shelves, 20 wire baskets, and the same features as the Sweet Goods Case. The Bread Wall boasts three adjustable shelves with LED lighting, 10 baguette baskets, and nine square baskets. For more information, contact Universal Custom Display, 9104 Elkmont Way, Elk Grove, CA 95624; www.unicusdis.com.



Trion will exhibit its ZipTrack® Merchandising System, a shelf-based pusher system that can organize store cooler displays. Within this display ZipTrack was deployed with the intent to maximize facings with uniquely spaced lanes for each product, eliminating the need for down-tilted shelves while still maintaining consistently front product. For more information, contact Trion Industries, Inc., 297 Laird Street, Wilkes-Barre, PA 18702; www.TrionOnline.com.



Vulcan Spring will exhibit Variable Force Springs that enhance retail display organization and efficiency. Ideal for applications such as cosmetics displays, frozen and refrigerated foods, and beverage shelves, these springs provide the precise force needed to keep products forward-facing and neatly arranged. Unlike traditional gravity feed systems, Variable Force Springs adjust their force as the display depletes, ensuring that shelves always look full and inviting. For more information, contact Vulcan Spring, 501 Schoolhouse Road Telford, PA 18969; www.vulcanspring.com.



Prometheus Retail Solutions will exhibit a wide variety of point-of-purchase displays, including corrugated, wood, metal, wire, plastic and cast resin. Prometheus offers domestic and overseas production options. For more information, contact Prometheus Retail Solutions, 11860 Kemper Rd #1 Auburn, CA 95603; www.prometheusretail.com.



Compass Retail Display Group (CRDG) will exhibit displays utilizing all types of materials, based on your specific needs. Compass utilizes its own state-of-art equipment, and overseas partners as needed. For more information, contact Compass Retail Display Group, 10500 Drummond Road, Philadelphia, PA 19154; www.compassdisplayinc.com.



Glass-Media will exhibit its portable, digital A-Frame product line, which is fueled by market-driven demand and valuable feedback from customers and partners. Product features and customization options include: Sizes from 24" to 65", Battery life up to 30 hours on a single charge, Available in both indoor and outdoor models, Dual-sided with 4K commercial-grade displays, WiFi and/or LTE enabled, For more information, contact Glass-Media, 4435 Spring Valley Rd, Farmers Branch, TX 75244; www.glass-media.com.